

ROTAMETERS WITH PTFE VALVES

For Select Corrosive or Ultra-Pure Media

FL-3000/3100 Series
Starts at

\$234



Optional †

- ✓ **Excellent Chemical Compatibility for Use with Corrosive or Ultra-Pure Fluids**
- ✓ **High Accuracy: Up to ±2% FS**
- ✓ **Shield Magnifies Scale for Accurate Readings**

The FL-3000 and FL-3100 Series flowmeters are designed for applications involving corrosive or ultra-pure fluids. The meters are equipped with built-in PTFE needle valves with Kel-F, borosilicate glass, sapphire, and Perflurorodastomer O-rings.

The special scale design, in which a vertical line runs up the length of the scale and intersects the horizontal scale divisions, reduces parallax and eye fatigue, thereby ensuring highly accurate readings. The front polycarbonate shield also acts as a magnifying glass.

SPECIFICATIONS

Accuracy: ±2% full scale

(FL-3007SA ±5% FS)

Repeatability: ±0.25% FS

Max Pressure: 6.7 bar (100 psig)

Max Temperature: 66°C (150°F)

Connections: ½ FNPT

Mounting:

Panel mount or optional tripod base

Height/Center to Center Port

Distance: 65 mm (6.156"/5.156");


150 mm (10.469"/9.469")

Accessories

PTFE Valves—1 psid @ 0.2 GPM

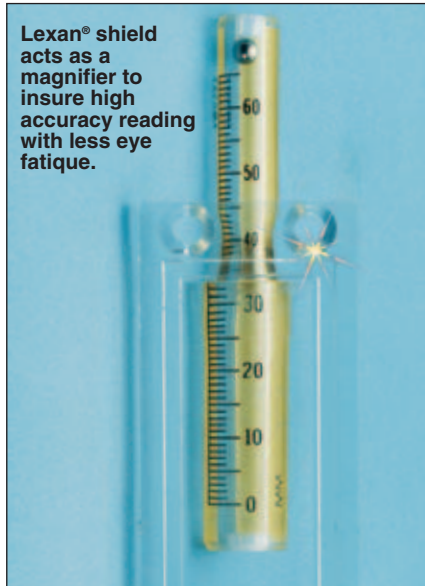
(Fluid Contacts PTFE and Kel-F Only)

for 200°F Up to 25 psig.

Model No.	Price	Connections
FVLT102	\$65	½ FNPT
FLV-2	47	Glass hose nipples
FVLT104-SS	168	¼" TFE compression
CM-0512	142	Reference Book: Chemical Instrumentation 

Tripods	Price	Description
FLTR-1	\$48	For 1 rotameter
FLTR-2	48	For 2 rotameters
FLTR-3	48	For 3 rotameters

Lexan® shield acts as a magnifier to insure high accuracy reading with less eye fatigue.



MOST POPULAR MODELS HIGHLIGHTED!

65 mm

To Order (Specify Model Number)

Model No.	Price	Max Flow Rate* (cc/min)	
		Air	Water*
FL-3007SA	\$234	8.30	0.251
FL-3035SA	234	72.3	0.98
FL-3013SA	234	159	3.00
FL-3010SA	234	299	4.7
FL-3051SA	234	1299	34
FL-3092SA	244	1623	36.74
FL-3088SA	244	2704	61
FL-3096SA	249	8144	217
FL-3063SA	249	28,326	798

150 mm

To Order (Specify Model Number)

Model No.	Price	Max Flow Rate* (cc/min)	
		Air	Water*
FL-3145SA	\$302	37	0.56
FL-3141SA	302	72	0.99
FL-3161SA	302	140	1.92
FL-3102SA	302	513	9.96
FL-3103SA	302	1092	26.1
FL-3104SA	302	3079	78
FL-3105SA	302	5000	126
FL-3139SA	317	11,887	315
FL-3140SA	317	29,364	829

* Minimum flow rate is 10% of maximum rate shown.

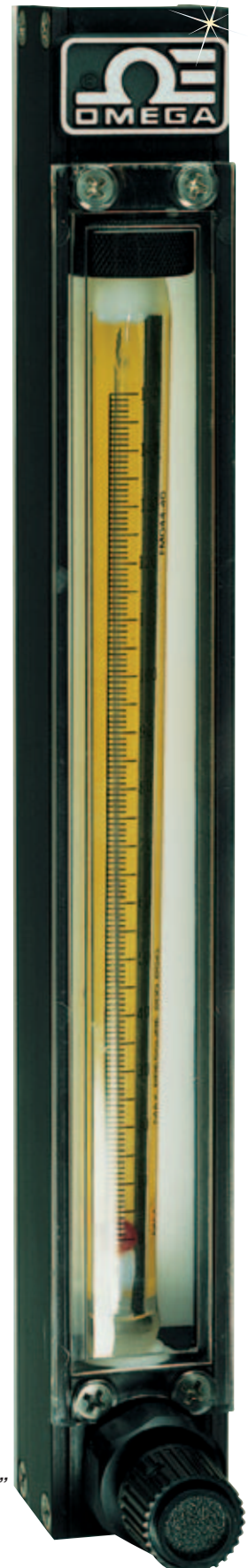
Comes complete with operator's manual and correlation sheets for air and water with instructions on back.

† For NIST calibration add suffix "**-NIST AIR**" to model number and **\$225** per tube, per gas, per float to price. Add suffix "**-NIST WATER**" to model number and **\$275** per tube to price.

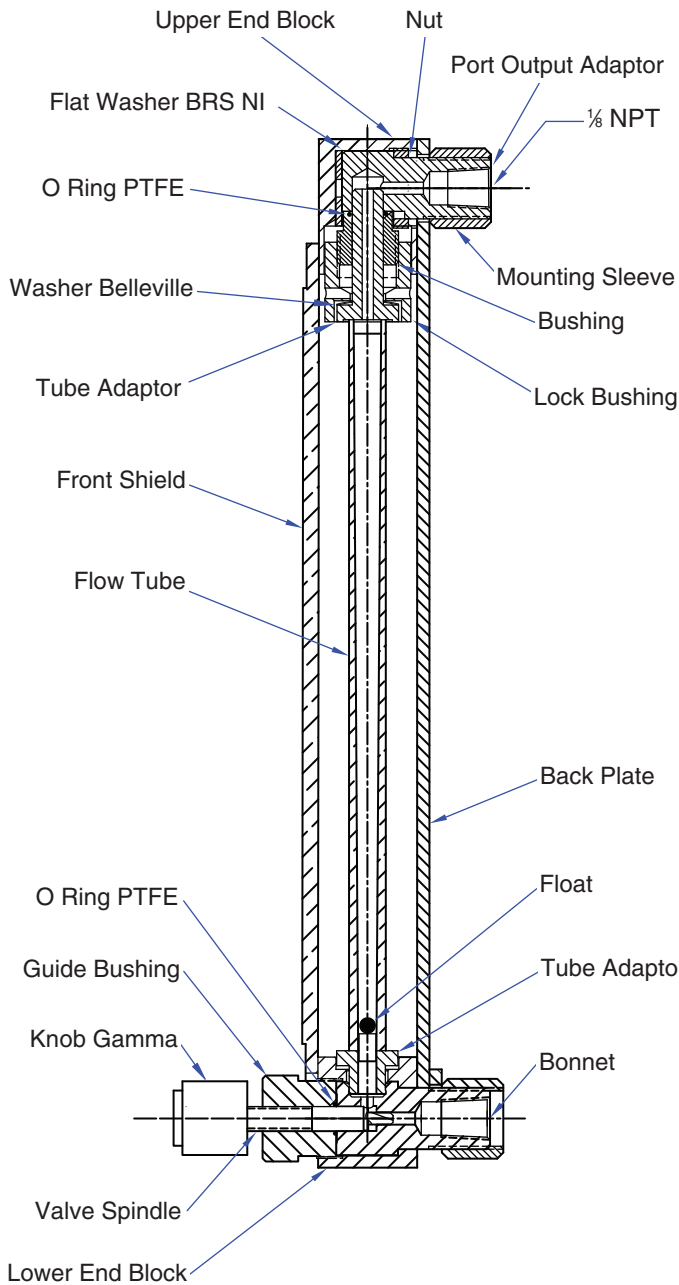
For oxygen cleaning, add suffix "**-02CLEAN**" to model number and **\$125** to price.

Ordering Examples: FL-3051SA, rotameter with range of 1299 cc/min air, 34 cc/min water, **\$234**.

FL-3102SA, 150 mm flowtube rotameter, with a range of 513 cc/min air, 9.96 cc/min water, **\$302**.

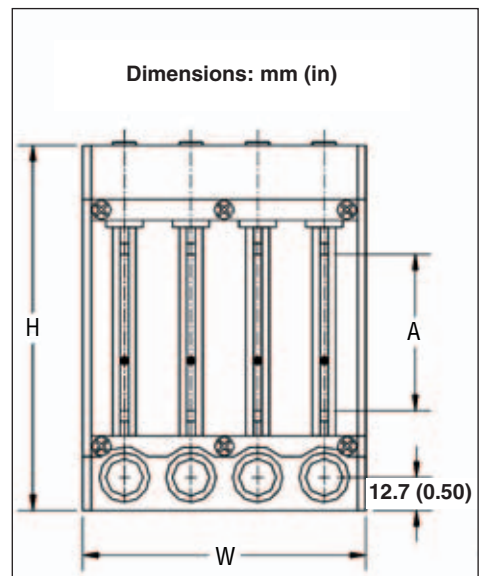


FL-3145SA, \$302, shown smaller than actual size.

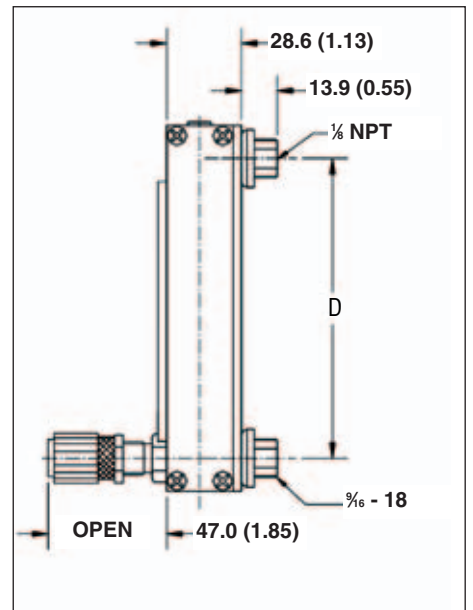


FL-3000

Front view



Side view



Dimensions: (in)						
Scale Length (A)	All Meters		Width (W)			
	Height (H)	Center to Center (D)	Tube 1	Tube 2	Tube 3	Tube 4
65 mm	6.16	5.16	1.25	2.25	3.25	4.25
150 mm	10.46	9.47	1.25	2.25	3.25	4.25

Dimensions: (mm)						
Scale Length (A)	All Meters		Width (W)			
	Height (H)	Center to Center (D)	Tube 1	Tube 2	Tube 3	Tube 4
65 mm	156.4	131.0	31.75	57.5	82.55	107.95
150 mm	265.7	240.5	31.75	57.5	82.55	107.95

B-X



UNITED STATES

www.omega.com
1-800-TC-OMEGA
Stamford, CT.

CANADA

www.omega.ca
Laval(Quebec)
1-800-TC-OMEGA

GERMANY

www.omega.de
Deckenpfronn, Germany
0800-8266342

UNITED KINGDOM

www.omega.co.uk
Manchester, England
0800-488-488

FRANCE

www.omega.fr
Guyancourt, France
088-466-342

CZECH REPUBLIC

www.omegaeng.cz
Karviná, Czech Republic
596-311-899

BENELUX

www.omega.nl
Amstelveen, NL
0800-099-33-44



More than 100,000 Products Available!

• Temperature

Calibrators, Connectors, General Test and Measurement Instruments, Glass Bulb Thermometers, Handheld Instruments for Temperature Measurement, Ice Point References, Indicating Labels, Crayons, Cements and Lacquers, Infrared Temperature Measurement Instruments, Recorders Relative Humidity Measurement Instruments, RTD Probes, Elements and Assemblies, Temperature & Process Meters, Timers and Counters, Temperature and Process Controllers and Power Switching Devices, Thermistor Elements, Probes and Assemblies, Thermocouples Thermowells and Head and Well Assemblies, Transmitters, Wire

• Flow and Level

Air Velocity Indicators, Doppler Flowmeters, Level Measurement, Magnetic Flowmeters, Mass Flowmeters, Pitot Tubes, Pumps, Rotameters, Turbine and Paddle Wheel Flowmeters, Ultrasonic Flowmeters, Valves, Variable Area Flowmeters, Vortex Shedding Flowmeters

• pH and Conductivity

Conductivity Instrumentation, Dissolved Oxygen Instrumentation, Environmental Instrumentation, pH Electrodes and Instruments, Water and Soil Analysis Instrumentation

• Data Acquisition

Auto-Dialers and Alarm Monitoring Systems, Communication Products and Converters, Data Acquisition and Analysis Software, Data Loggers Plug-in Cards, Signal Conditioners, USB, RS232, RS485 and Parallel Port Data Acquisition Systems, Wireless Transmitters and Receivers

• Pressure, Strain and Force

Displacement Transducers, Dynamic Measurement Force Sensors, Instrumentation for Pressure and Strain Measurements, Load Cells, Pressure Gauges, Pressure Reference Section, Pressure Switches, Pressure Transducers, Proximity Transducers, Regulators, Strain Gages, Torque Transducers, Valves

• Heaters

Band Heaters, Cartridge Heaters, Circulation Heaters, Comfort Heaters, Controllers, Meters and Switching Devices, Flexible Heaters, General Test and Measurement Instruments, Heater Hook-up Wire, Heating Cable Systems, Immersion Heaters, Process Air and Duct, Heaters, Radiant Heaters, Strip Heaters, Tubular Heaters