

# PRECISION 3.5mm ADAPTERS

## IN-SERIES



### Description

Maury precision 3.5mm (APC3.5) in-series adapters are low VSWR and low loss devices that operate from DC to 34 GHz. The models 8021A2, B2, and C2 offer all combinations for adapting and are ideal for use in precision measurement applications. These adapters are minimum length, phase matched, and feature a square-flanged body for ease of connecting that also prevents rolling off tables. They are useful as "test port savers" when used with vector network analyzers such as the HP8510, etc. The models 8021D1, 8021E1, 8021K1, and 8021L1 are bulkhead and panel mount feedthrough adapters, respectively, designed for instrumentation applications.

### Specifications

Frequency Range. .... DC to 34 GHz  
 VSWR ..... 1.05 maximum, DC to 18 GHz  
                   1.08 maximum, DC to 26.5 GHz  
                   1.12 maximum, 26.5 to 34 GHz  
 Impedance ..... 50 ohms  
 Connectors ..... 3.5mm (APC3.5) per 5E-062

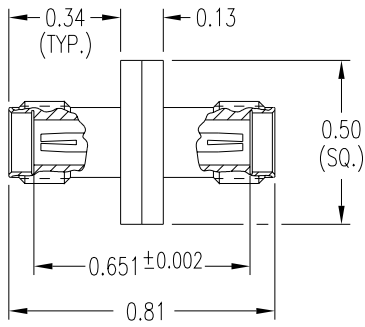
Model	Adapts	
	From	To
8021A2	APC3.5 female	APC3.5 female
8021B2	APC3.5 male	APC3.5 male
8021C2	APC3.5 female	APC3.5 male
8021D1	APC3.5 female	APC3.5 female <sup>1</sup>
8021E1	APC3.5 female	APC3.5 female <sup>2</sup>
8021K1	APC3.5 female	APC3.5 male <sup>1</sup>
8021L1	APC3.5 female	APC3.5 female <sup>1</sup>
8021M	APC3.5 female	APC3.5 female
8021N	APC3.5 male	APC3.5 male
8021P	APC3.5 female	APC3.5 male

<sup>1</sup> Bulkhead feedthrough.

<sup>2</sup> Panel mount feedthrough.

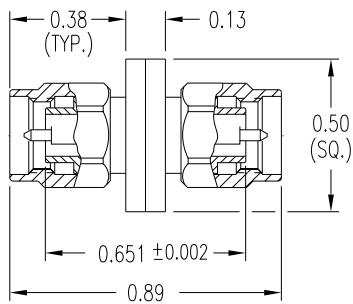
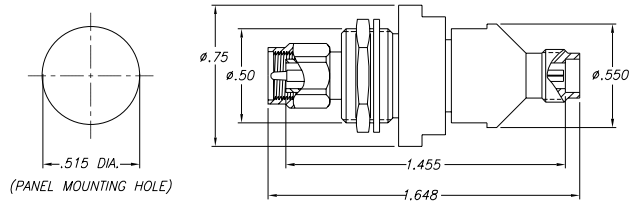


# Dimensions



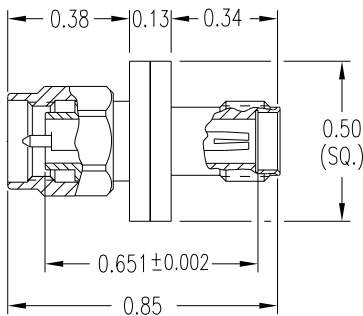
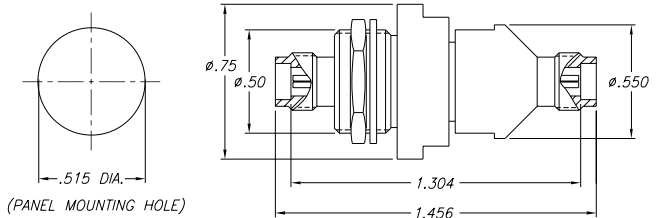
Model 8021A2

Model 8021K1



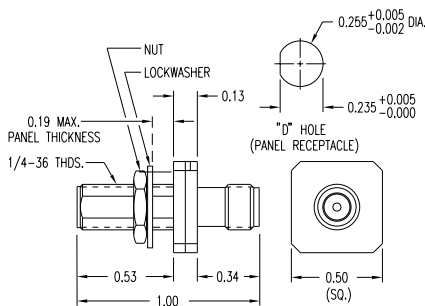
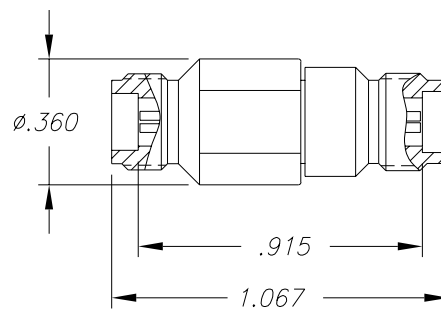
Model 8021B2

Model 8021L1



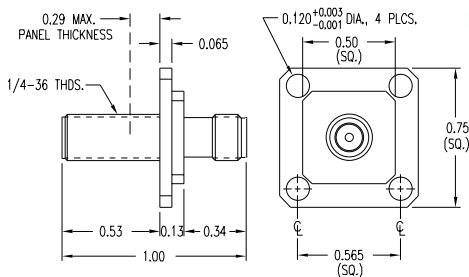
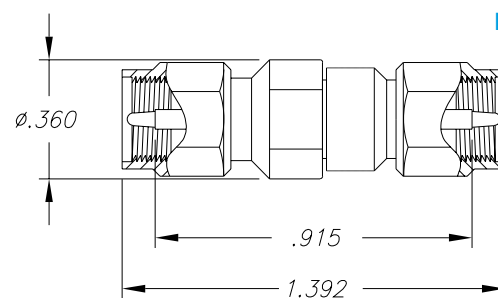
Model 8021C2

Model 8021M



Model 8021D1

Model 8021N



Model 8021E1

Model 8021P

