

Stocked Switches — SP4T

50 Years of

SEM Series

SP4T / DC-18 GHz

- 5 Models Available From Stock
- Standard Features Include:
Normally Open and Latching Models
TTL Logic Control, Suppression Diodes,
Indicator Circuits



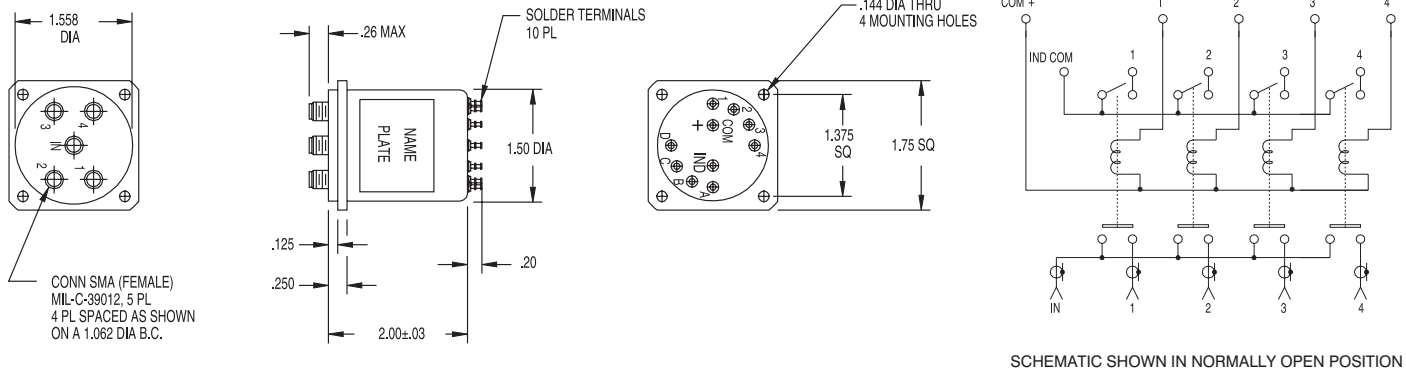
MODEL NO.	FEATURES	ACTUATING CURRENT mA @28 Vdc & 25°C	FREQUENCY RANGE DC-18 GHz	INSERTION LOSS dB (max)	VSWR (max)	ISOLATION dB (min)
SEM143	SP4T (SMA) NORMALLY OPEN INDICATOR CKT	140	DC-3 3-8 8-12.4 12.4-18	0.2 0.3 0.4 0.5	1.2:1 1.3:1 1.4:1 1.5:1	80 70 60 60
SEM143D	SP4T (SMA) NORMALLY OPEN TTL* INDICATOR CKT SUPPRESSION DIODE	140	DC-3 3-8 8-12.4 12.4-18	0.2 0.3 0.4 0.5	1.2:1 1.3:1 1.4:1 1.5:1	80 70 60 60
SEM143T	SP4T (SMA) NORMALLY OPEN TERMINATED INDICATOR CKT	140	DC-3 3-8 8-12.4 12.4-18	0.2 0.3 0.4 0.5	1.2:1 1.3:1 1.4:1 1.5:1	80 70 60 60
SEM143DT	SP4T (SMA) NORMALLY OPEN TERMINATED	140	DC-3 3-8 8-12.4	0.2 0.3 0.4	1.2:1 1.3:1 1.4:1	80 70 60
SEM143DT-24	TTL* SUPPRESSION DIODE INDICATOR CKT	225 @ 24V	12.4-18	0.5	1.5:1	60

*APPLIES TO ALL SWITCHES WITH TTL:

1. Selected position of the switch is controlled by TTL Logic High
2. Switch required only nominal +28 Vdc for coils (additional 5 Vdc is not required).

3. TTL Logic Voltage Level: Low 0 to .8Vdc High 2.5 to 5.0 Vdc
4. TTL Logic Input Current: Low 0mA High 1.6 mA max @ 3.85 Vdc

SEM143



SCHEMATIC SHOWN IN NORMALLY OPEN POSITION

narda

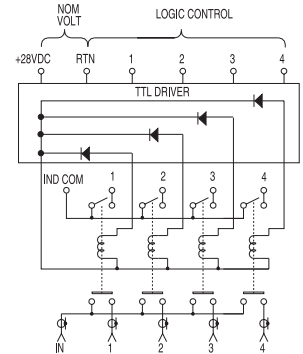
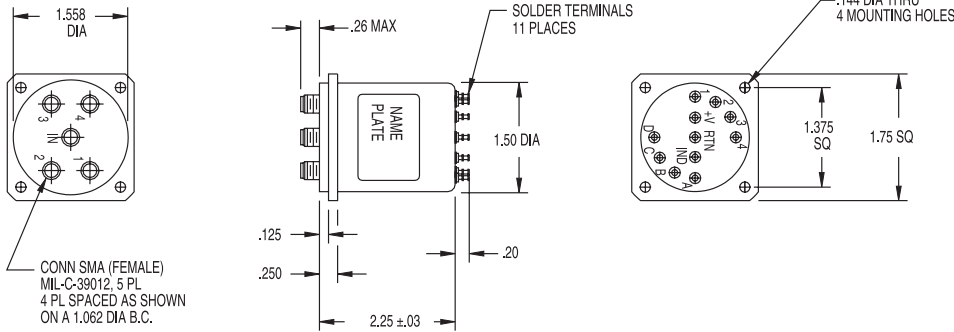
an L3 communications company

435 MORELAND ROAD • HAUPPAUGE, NY 11788
 USA TEL: (1) 631 231-1700 • INT'L TEL: (1) 631 231-1390 • FAX (1) 631 231-1711
 E-MAIL: nardaeast@L-3COM.com • www.nardamicrowave.com

50 Years of
Excellence

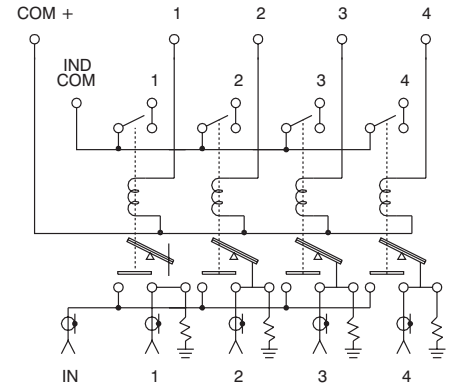
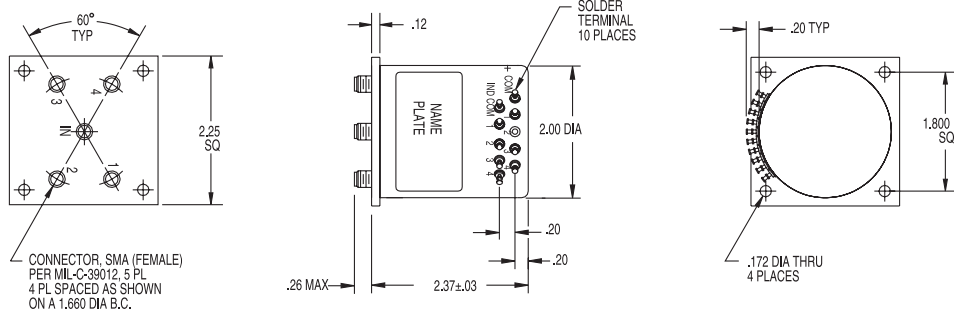
Stocked Switches — SP4T

SEM143D



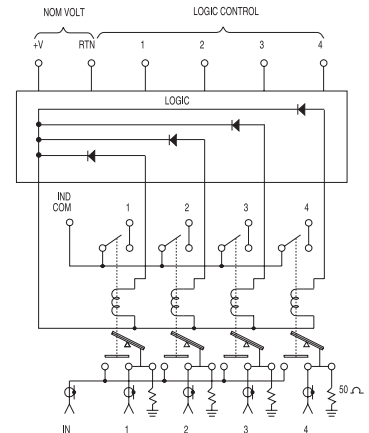
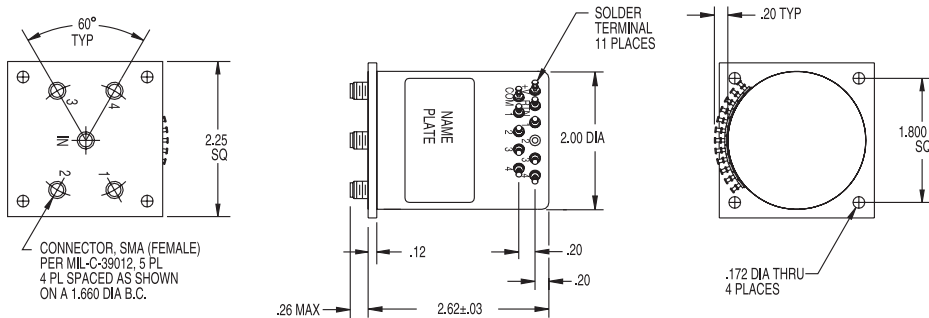
SCHEMATIC SHOWN IN NORMALLY OPEN POSITION

SEM143T



SCHEMATIC SHOWN IN 50 OHM TERMINATED POSITION

SEM143DT SEM143DT-24



SCHEMATIC SHOWN IN 50 OHM TERMINATED POSITION