

## Stocked Switches — SP2T

50 Years of  
Excellence

## SEM Series

## SP2T / DC-26.5 GHz

- 16 Stock Models in SP2T Series
- Standard Features Include:  
Latching Models, Failsafe Models,  
TTL Logic Control, Indicator Circuits  
HOT Switching (SEM023DNH Only)



## DC-18 GHz

MODEL NO.	FEATURES	ACTUATING CURRENT mA 28Vdc @ 25°C	FREQUENCY RANGE DC-18 GHz	INSERTION LOSS dB(max)	VSWR (max)	ISOLATION dB(min)
SEM020	SP2T(SMA)	160	DC-3	0.2	1.2:1	80
SEM020-12	FAILSAFE	275 @ 12V	3-8	0.3	1.3:1	70
SEM020-24		200 @ 24V	8-12.4	0.4	1.4:1	60
			12.4-18	0.5	1.5:1	60
SEM020L	SP2T (SMA) PULSE LATCHING	200	DC-3	0.2	1.2:1	80
			3-8	0.3	1.3:1	70
			8-12.4	0.4	1.4:1	60
			12.4-18	0.5	1.5:1	60
SEM123	SP2T (SMA) FAILSAFE INDICATOR CKT	160	DC-3	0.2	1.2:1	80
			3-8	0.3	1.3:1	70
			8-12.4	0.4	1.4:1	60
			12.4-18	0.5	1.5:1	60
SEM123D	SP2T (SMA) FAILSAFE INDICATOR CKT TTL* SUPPRESSION DIODE	160	DC-3	0.2	1.2:1	80
			3-8	0.3	1.3:1	70
			8-12.4	0.4	1.4:1	60
			12.4-18	0.5	1.5:1	60
SEM123L	SP2T (SMA) PULSE LATCHING INDICATOR CKT	200	DC-3	0.2	1.2:1	80
			3-8	0.3	1.3:1	70
			8-12.4	0.4	1.4:1	60
			12.4-18	0.5	1.5:1	60
SEM123T	SP2T (SMA) FAILSAFE INDICATOR CKT TERMINATED	280	DC-3	0.2	1.2:1	80
			3-8	0.3	1.3:1	70
			8-12.4	0.4	1.4:1	60
			12.4-18	0.5	1.5:1	60
SEM123LT	SP2T (SMA) PULSE LATCHING TERMINATED INDICATOR CKT	280	DC-3	0.2	1.2:1	80
			3-8	0.3	1.3:1	70
			8-12.4	0.4	1.4:1	60
			12.4-18	0.4	1.4:1	60

narda

an RF communications company

435 MORELAND ROAD • HAUPPAUGE, NY 11788  
USA TEL: (1) 631 231-1700 • INT'L TEL: (1) 631 231-1390 • FAX (1) 631 231-1711  
E-MAIL: nardaeast@L-3COM.com • www.nardamicrowave.com

50 Years of  
Excellence

## Stocked Switches — SP2T

MODEL NO.	FEATURES	ACTUATING CURRENT mA @28 Vdc & 25°C	FREQUENCY RANGE DC-18 GHz	INSERTION LOSS dB(max)	VSWR (max)	ISOLATION dB(min)
SEM123LD	SP2T (SMA) PULSE LATCHING INDICATOR CKT TTL*	200	DC-3 3-8 8-12.4 12.4-18	0.2 0.3 0.4 0.5	1.2:1 1.3:1 1.4:1 1.5:1	80 70 60 60
SEM123DT	SP2T (SMA) FAILSAFE TERMINATED INDICATOR CKT SUPPRESSOR DIODE TTL*	280	DC-3 3-8 8-12.4 12.4-18	0.2 0.3 0.4 0.5	1.2:1 1.3:1 1.4:1 1.5:1	80 70 60 60
SEM123LDT	SP2T (SMA)	280	DC-3	0.2	1.2:1	80
SEM123LDT-24	PULSE LATCHING INDICATOR CKT TERMINATED TTL* SELF DE-ENERGIZING	325 @ 24V	3-8 8-12.4 12.4-18	0.3 0.5 0.5	1.3:1 1.4:1 1.5:1	70 60 60

## DC-12.4 GHz N Connectors

MODEL NO.	FEATURES	ACTUATING CURRENT mA @24Vdc & 25°C	FREQUENCY RANGE DC-12.4 GHz	INSERTION LOSS dB (max)	VSWR (max)	ISOLATION dB (min)
SEM123N	SP2T (N) FAILSAFE INDICATOR CKT	180	DC-3 3-8 8-12.4	0.2 0.35 0.5	1.2:1 1.35:1 1.5:1	80 70 60
SEM123DN	SP2T (N) FAILSAFE INDICATOR CKT TTL* SUPPRESSION DIODE	180	DC-3 3-8 8-12.4	0.2 0.35 0.5	1.2:1 1.35:1 1.5:1	80 70 60

## DC-26.5 GHz SMA Connectors

MODEL NO.	FEATURES	ACTUATING CURRENT mA @28 Vdc & 25°C	FREQUENCY RANGE DC-26.5 GHz	INSERTION LOSS dB (max)	VSWR (max)	ISOLATION dB (min)
SEM124	SP2T (SMA) FAILSAFE INDICATOR CKT	160	DC-3 3-8 8-12.4 12.4-18 18-26.5	0.2 0.3 0.4 0.5 0.7	1.2:1 1.3:1 1.4:1 1.5:1 1.7:1	80 70 60 60 50

\*APPLIES TO ALL SWITCHES WITH TTL:

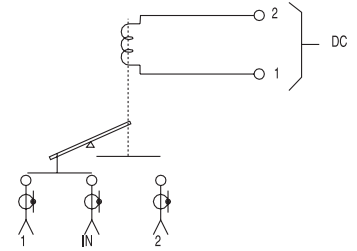
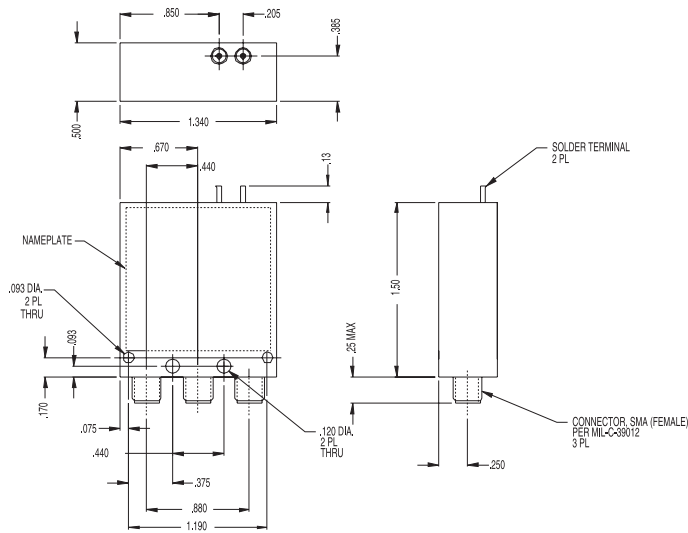
1. Selected position of the switch is controlled by TTL Logic
2. Switch requires only nominal +28 Vdc for coils (additional 5 Vdc is not required).

3. TTL LOGIC LEVEL: Low 0 to .8 VDC High 2.5 to 5.0 VDC
4. TTL LOGIC INPUT CURRENT: Low 0 mA High 1.6 mA max @ 3.85 VDC

# Stocked Switches — SP2T

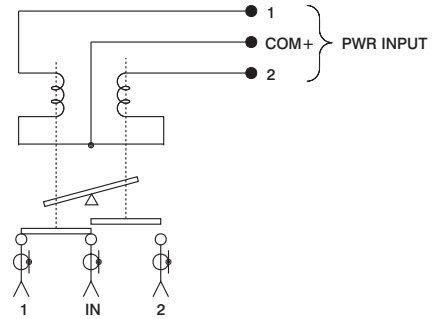
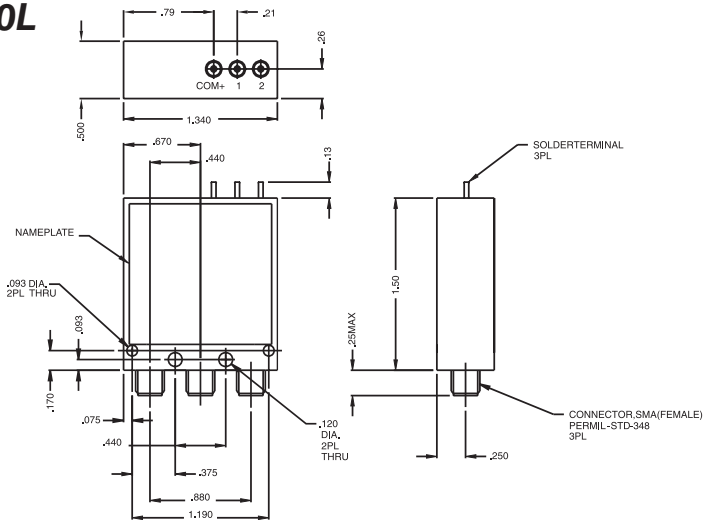
50 Years of  
Excellence

## SEM020 SEM020-12 SEM020-24



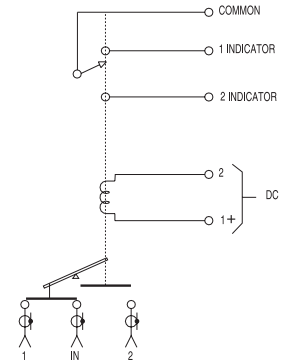
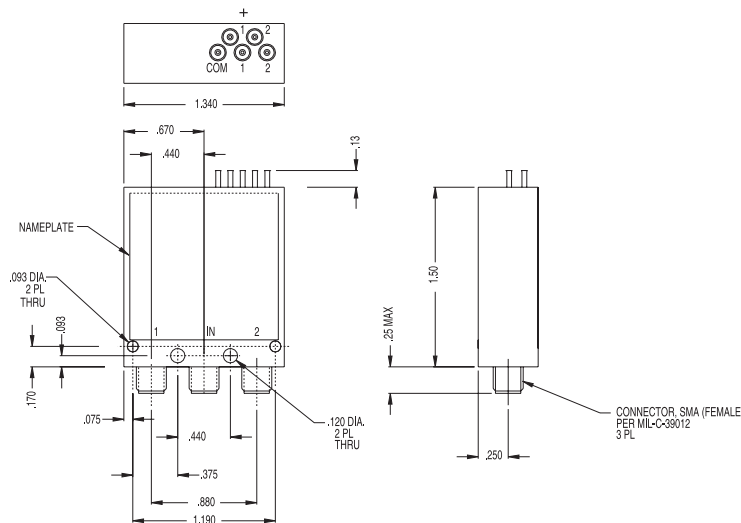
SCHEMATIC SHOWN IN FAILSAFE POSITION

## SEM020L



SCHEMATIC SHOWN WITH POSITION 1 CLOSED

## SEM123

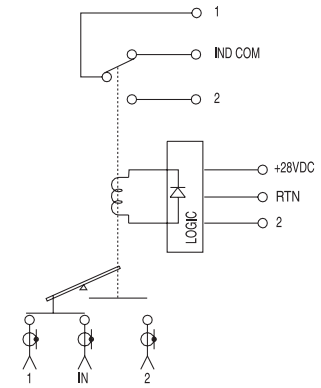
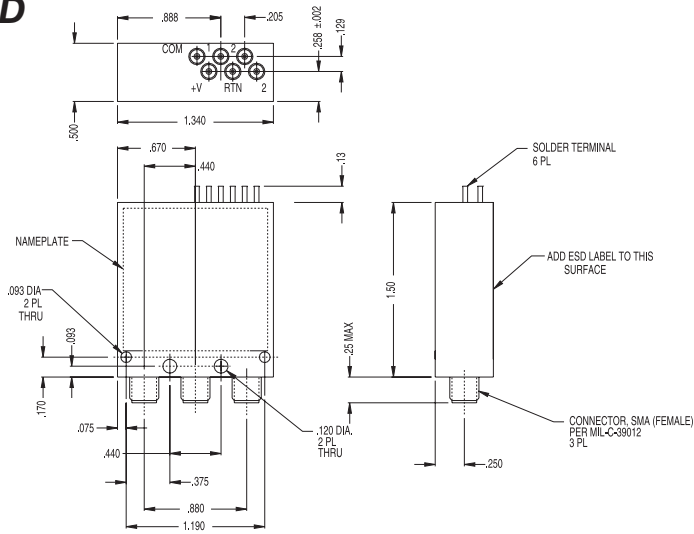


SCHEMATIC SHOWN IN FAILSAFE POSITION

50 Years of  
Excellence

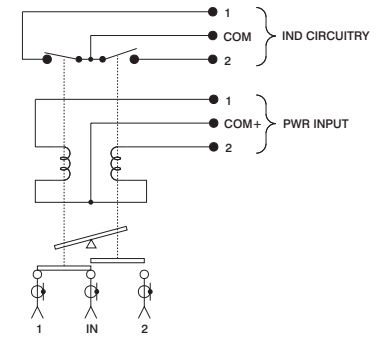
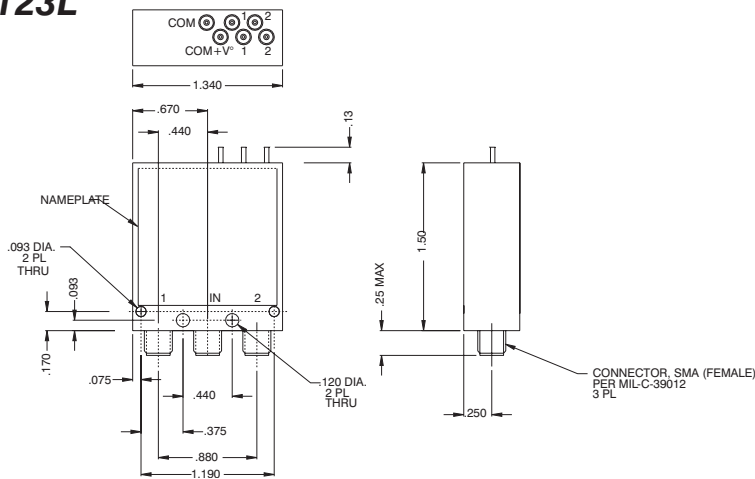
# Stacked Switches — SP2T

## SEM123D



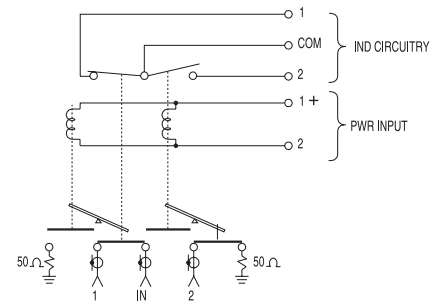
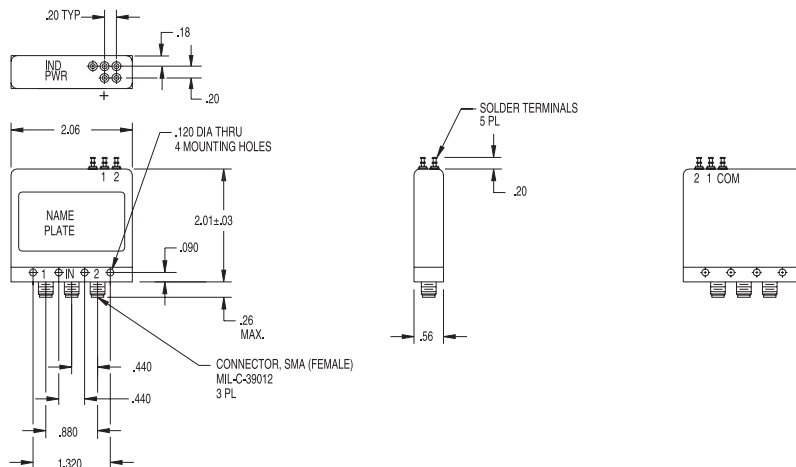
SCHEMATIC SHOWN IN FAILSAFE POSITION

## SEM123L



SCHEMATIC SHOWN WITH POSITION 1 CLOSED

## SEM123T

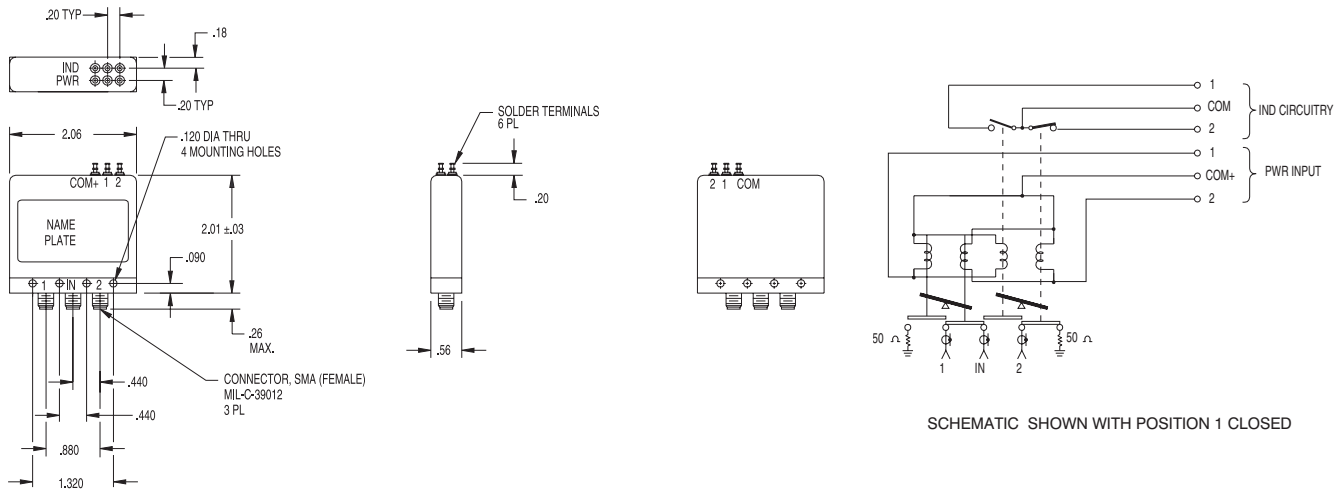


SCHEMATIC SHOWN WITH POSITION 1 CLOSED

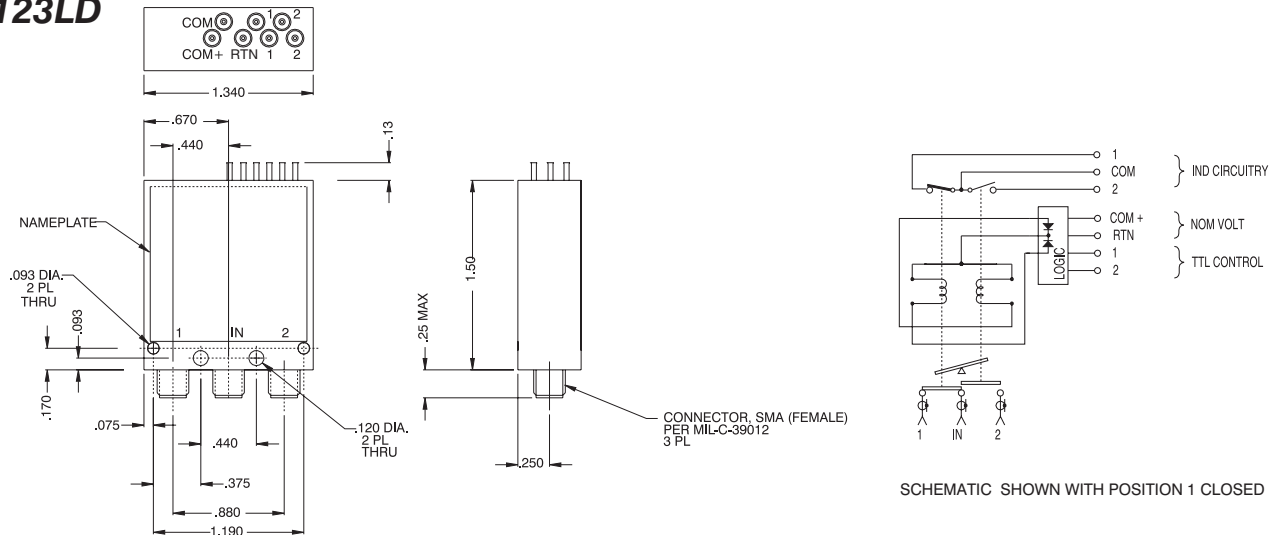
# Stocked Switches — SP2T

50 Years of  
Excellence

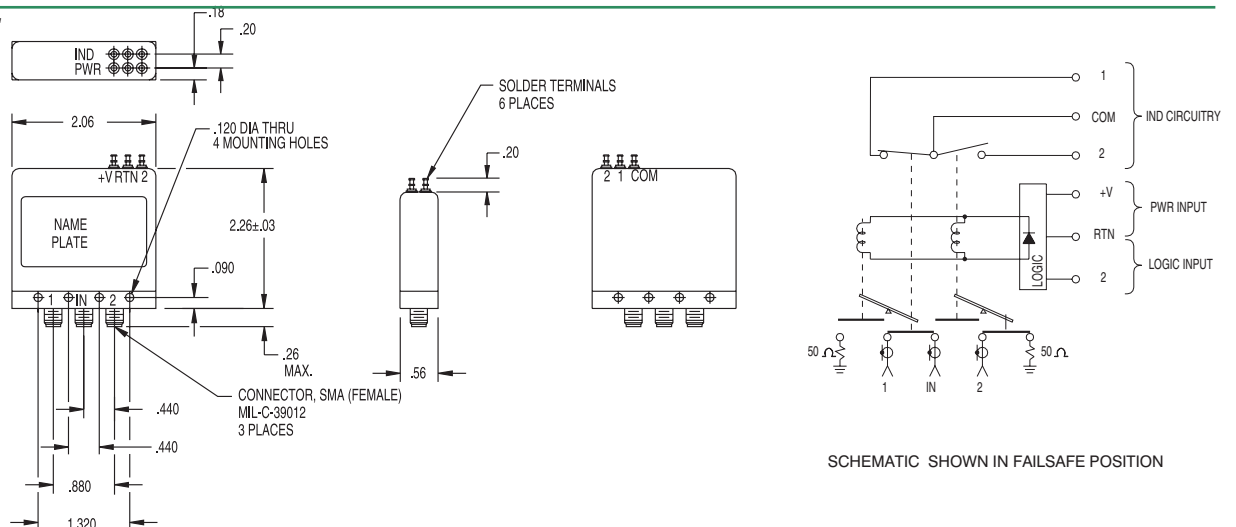
## SEM123LT



## SEM123LD



## SEM123DT

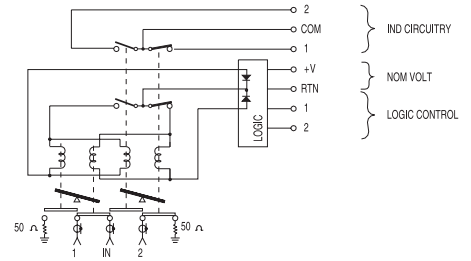
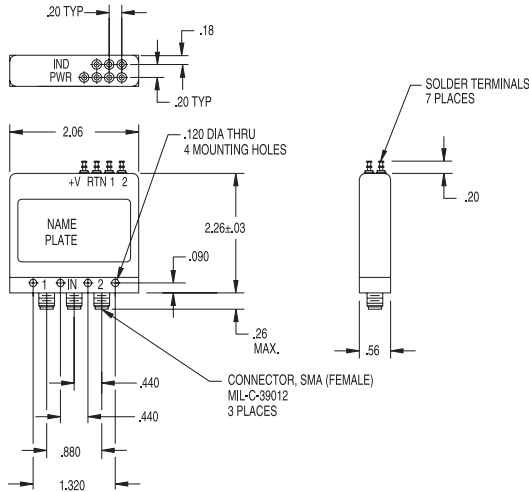


**narda**

an  communications company

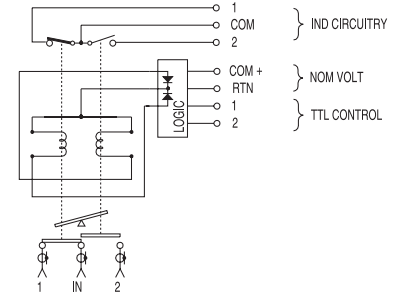
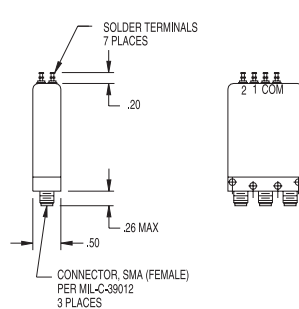
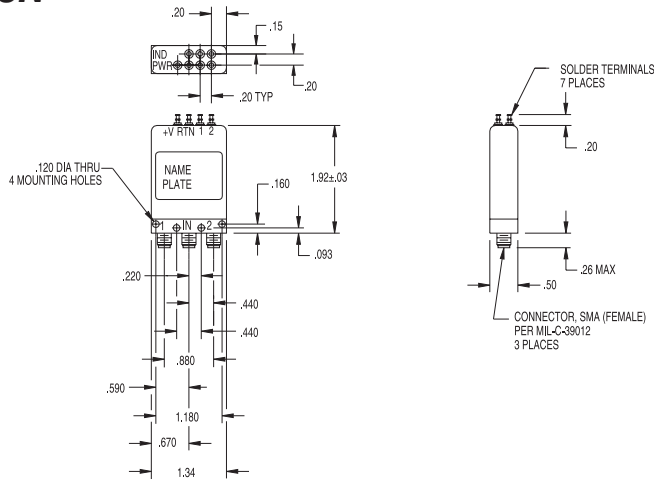
435 MORELAND ROAD • HAUPPAUGE, NY 11788  
USA TEL: (1) 631 231-1700 • INT'L TEL: (1) 631 231-1390 • FAX (1) 631 231-1711  
E-MAIL: nardaeast@L-3COM.com • www.nardamicrowave.com

**SEM123LDT**  
**SEM123LDT-24**



SCHEMATIC SHOWN WITH POSITION 1 CLOSED

**SEM123N**

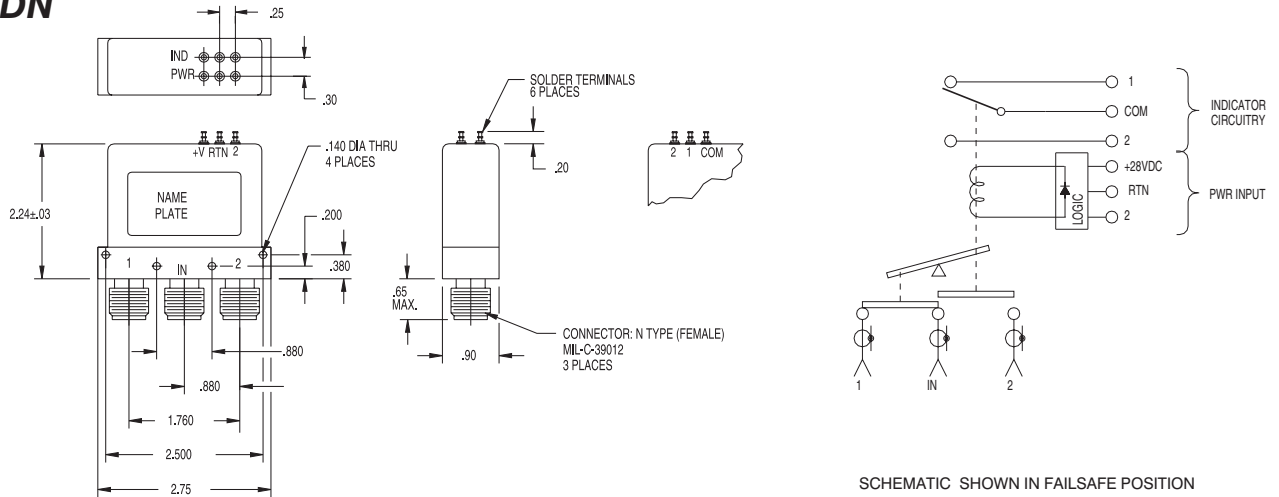


SCHEMATIC SHOWN IN FAILSAFE POSITION

# Stocked Switches — SP2T

50 Years of  
Excellence

## SEM123DN



## SEM124

