

SPECIFICATIONS:
 FREQ RANGE (GHz) — 10.0 TO 15.0
 VSWR (MAX) — 1.08 : 1 (1.05:1 TYP)
 INS. LOSS (MAX) — 0.05 db
 ISOLATION (MIN) — 60 db
 SWITCHING TIME — 50mSec, TYP
 LIFE — 100,000 CYCLES, MIN
 VOLTAGE — SEE P/N SELECTION
 PRESSURE — TO 30 PSIG
 FINISH — IRIDITE ON FLANGES, SATIN BLACK FINISH ON REST OF BODY.

NOTES:
 1. ** MANUAL SWITCH DOES NOT INCLUDE RECEPTACLE.
 2. BLUE BOXES ARE REQUIRED FIELDS.
 3. !! IF OPTION IS NOT REQUIRED, LEAVE (GOLD BOX) BLANK

VOLTAGE	AMPS	CODE	PART NO. SELECTION	
+22 TO +32	0.9	A	CODE	FLANGE
-22 TO -32	0.9	B	P	PLAIN
+10 TO +14	1.5	C	C	CHOKE
-10 TO -14	1.5	D	O	O-RING
+44 TO +54	0.5	E	F	CPRF
-44 TO -54	0.5	F	G	CPRG
117VAC	0.5	H		
235VAC	0.5	K		
MANUAL **		M		

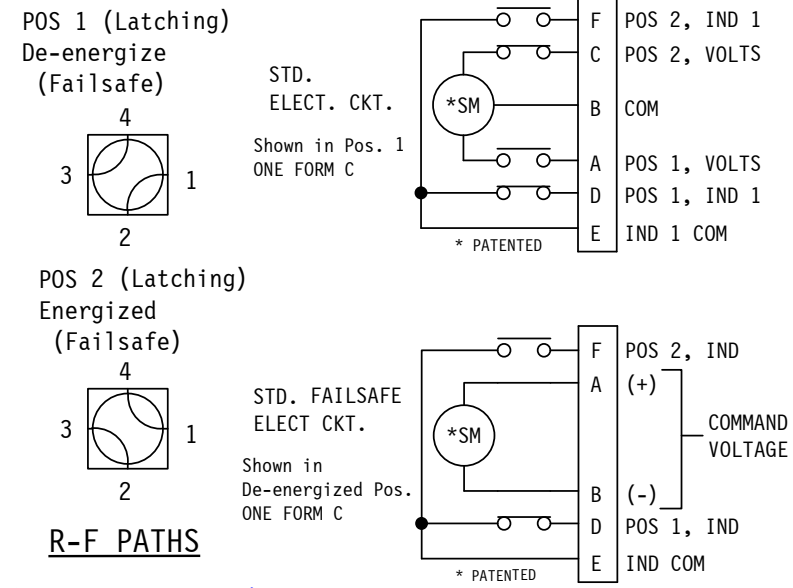
CODE	!! OPTION
M	METRIC THREAD

!! OPTION	CODE
SPDT	1

75-						
PART NO. SERIES	75-					
	CODE	FAILSAFE	F			
		!! OPTION	CODE			

PART NO. EX.: 75-APFM
 WR75 WG SWITCH, +28VDC, PLAIN FLANGE, FAILSAFE, METRIC THDS.

FOR OTHER ELECT CKT'S SEE SCHEMATIC PAGE.



WEB SITE: www.sectormicrowave.com

ZONE	LTR	DESCRIPTION	APV	DATE
		RELEASED.	TN	12/9/03
REVISIONS				

TOLERANCES:	DRAWN	A.C.	12/9/03
DECIMALS	CHECKED		
2 PLACES: +/- .03	APVD	T.N.	12/9/03
3 PLACES: +/- .010	APVD		
FRACTIONS: +/- 1/64			
ANGLES: +/- 1/2 deg.			

SECTOR MICROWAVE IND., INC.			
WR75 W/G SWITCH SERIES			
SIZE	L	CAGE CODE	53263
		75-xx SERIES	
SCALE: NONE	UNIT WT.	SHEET 1 OF 1	REV.