



MIGHTY MITE is a mini-counter with a mini price. The small electro-mechanical counter is designed for applications where space is minimal. MIGHTY MITE is ideal for vending and other coin-operated equipment.

- Small Size
- Available in 4 mounting configurations
- 6 digit
- Tamper Proof
- Count coil can be continuously energized
- Low Cost
- Standard DC/AC voltages
- Durable and reliable performance
- Can be interfaced to TTL/CMOS
(See diagram on back)
- UL and CSA recognized & CE
- **MADE IN THE USA**

STANDARD MODELS

PART NUMBER	LEAD TYPE	VOLTAGE	
Frog Eyes			
E6B610GM	Wires, 12"	6V DC	
E6B612GM		12V DC	
E6B65GM		24V DC	
E6B626GM		6V DC w/diode	
E6B627GM		12V DC w/diode	
E6B628GM		24V DC w/diode	
E6B62GM		115V 60 hz	
E6B64GM		24V 60 hz	
Base			
E6B610GN		Wires, 12"	6V DC
E6B612GN	12V DC		
E6B65GN	24V DC		
E6B626GN	6V DC w/diode		
E6B627GN	12V DC w/diode		
E6B628GN	24V DC w/diode		
E6B62GN	115V 60 hz		
E6B64GN	24V 60 hz		
Rear			
E6B610GP	Wires, 12"		6V DC
E6B612GP		12V DC	
E6B65GP		24V DC	
E6B626GP		6V DC w/diode	
E6B627GP		12V DC w/diode	
E6B628GP		24V DC w/diode	
E6B62GP		115V 60 hz	
E6B64GP		24V 60 hz	
PC Mount			
E6B610H		Pins	6V DC
E6B612H	12V DC		
E6B65H	24V DC		
E6B626H	6V DC w/diode		
E6B627H	12V DC w/diode		
E6B628H	24V DC w/diode		
E6B62H	115V 60 hz		
E6B64H	24V 60 hz		

TECHNICAL FEATURES:

FIGURES: 6

FIGURES SIZE: .125" high, .075" wide

COLOR OF FIGURES: White on black

COUNT SPEED: 600 cpm

MINIMUM COUNT PULSE TIMING: 50 ms minimum on time/off time

CONTINUOUS COIL ENERGIZATION: Voltage may be applied to count coil continuously without causing damage.

COUNT LIFE: 10 million counts DC, 2 million counts AC under normal operating conditions at +77 F (+25 C)

VOLTAGE: 24, 115V AC
6, 12, 24V DC

VOLTAGE TOLERANCE: $\pm 10\%$ or 10 volts, whichever is limiting

OPERATING TEMPERATURE RANGE: -25 C to +65 C

MOUNTING: Panel, base, rear and PC mount

CONNECTIONS: #22 AWG leads from bottom of counter

MATERIAL: Wheels — Delrin
Pinions — Nylatron
Pawl — High Humidity-Resistant Nylon
Bobbin — Zytel
Case — High Impact Polystyrene
Frame, Core and Armature — Plated Steel
Shafts — Stainless Steel
Springs — Music Wire

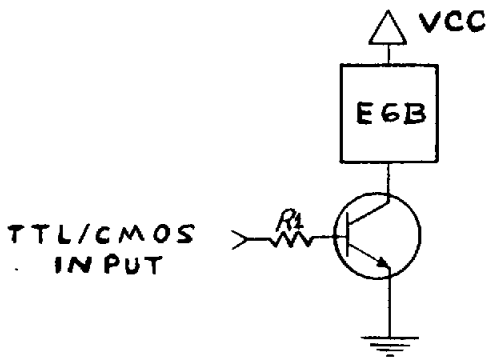
NET WEIGHT: 1.6 oz (45 grams)



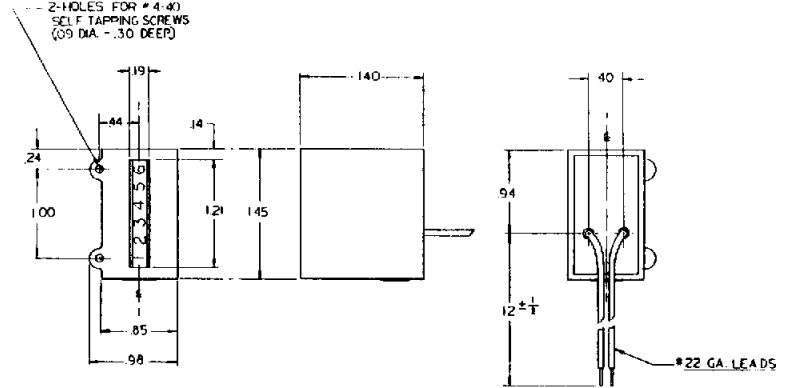
SERIES E6B

Mounting Variations

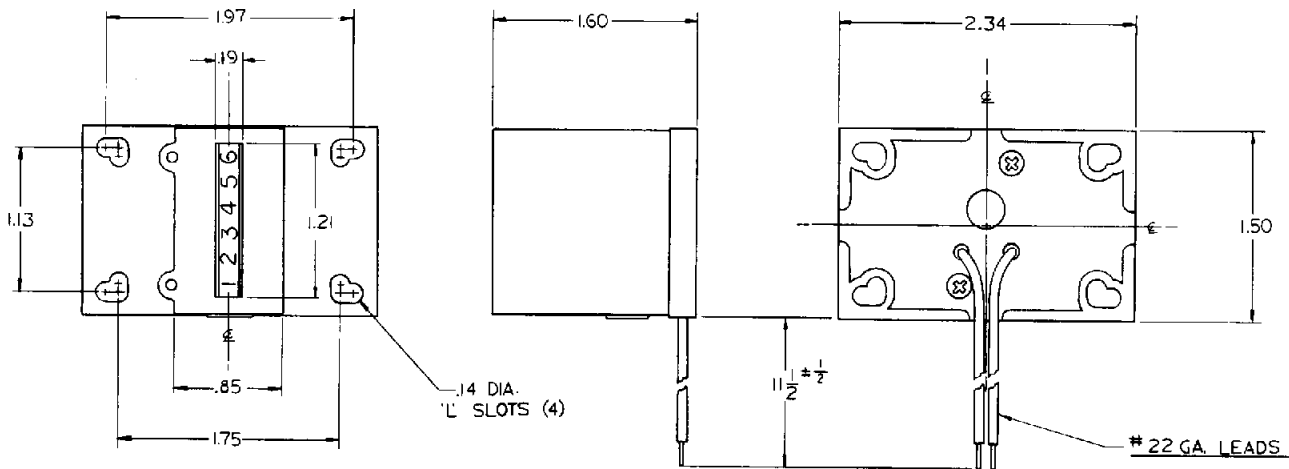
Series E6B Interfaced to TTL/CMOS circuitry



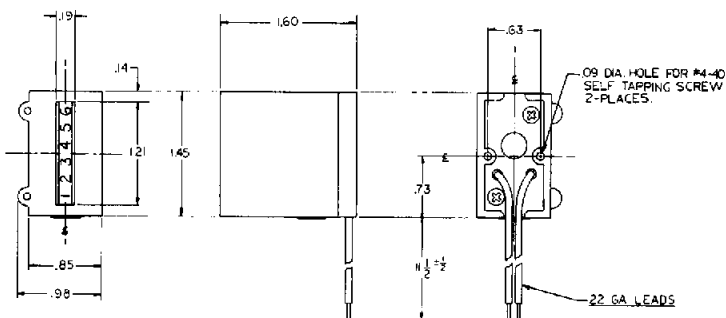
Series E6B Back of Panel Mount Frog Eyes



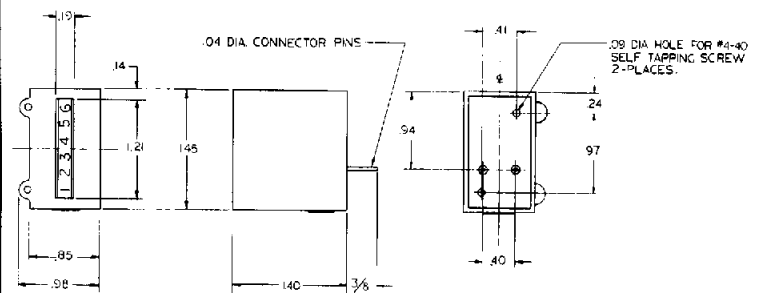
Series E6B Base Mount



Series E6B Rear Mount



Series E6B PC Mount



Above data is for reference only.

Certified dimensions available upon request.



ENM Company
5617 Northwest Highway
Chicago, IL 60646-6135
(773) 775-8400 Fax: (773) 775-5968